

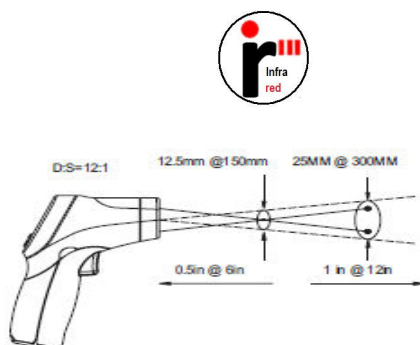
CT-IRTO

INFORMATION:

Digital Infrared Thermometer CT-IRTO is used for non contact surface temperature measurement of concrete. It can also check mix temperature of bitumen temperature, starter fuses, bus connectors, plastic enclosed relays, or insulated connectors or bendite enclosed relays, bearings, belts & shears, electrical connectors & cable installations.

TECHNICAL SPECIFICATION:

Temp. Range	-20°C~530°C
Display Accuracy	±1.8°C or ±1.8%
Repeatability	±0.5°C or ±0.5%
Display Resolution	0.1
Distance to Spot Size	12:1
Response Time	250mS(95% of reading)
Spectral Response	8um to 14um
Laser Power	Class 2(II) operation; Output<1mW, wavelength 630-670nm
Display Hold	8 seconds
Emissivity	Digitally adjustable from 0.1 to 1.00 by 0.01



DIGITAL INFRARED THERMOMETER